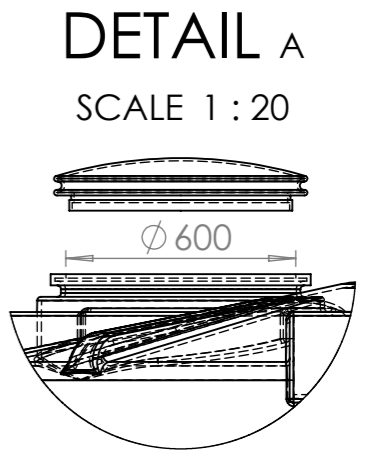
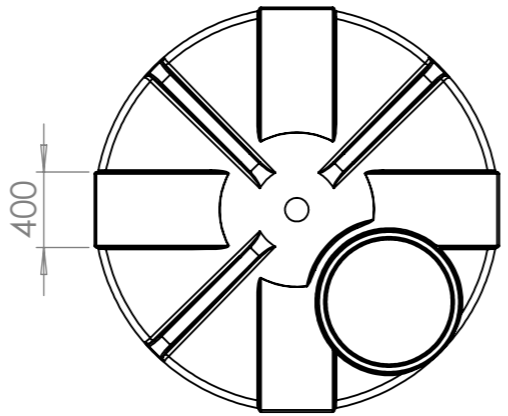
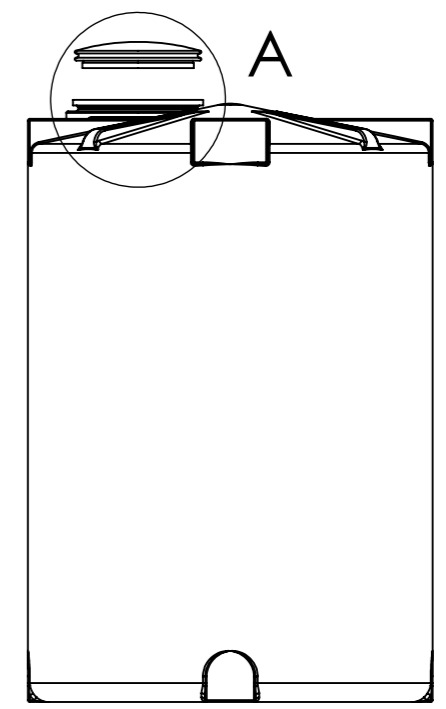
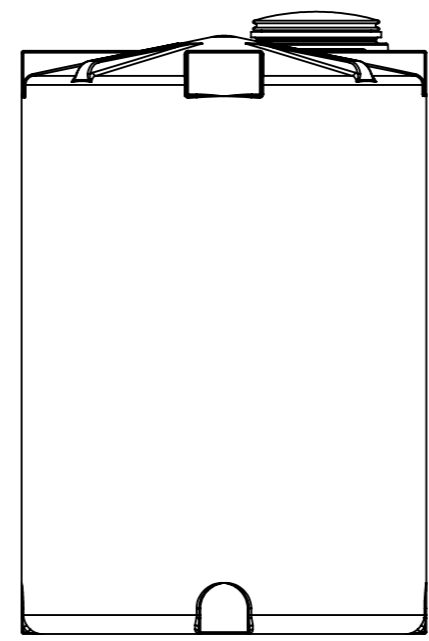
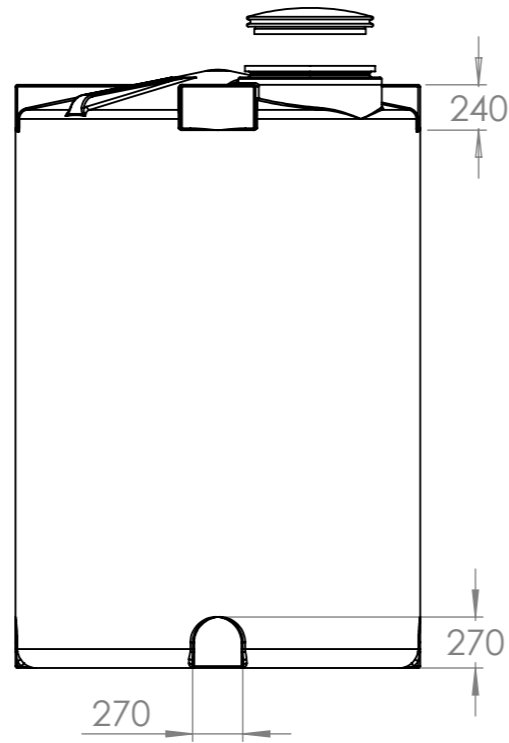
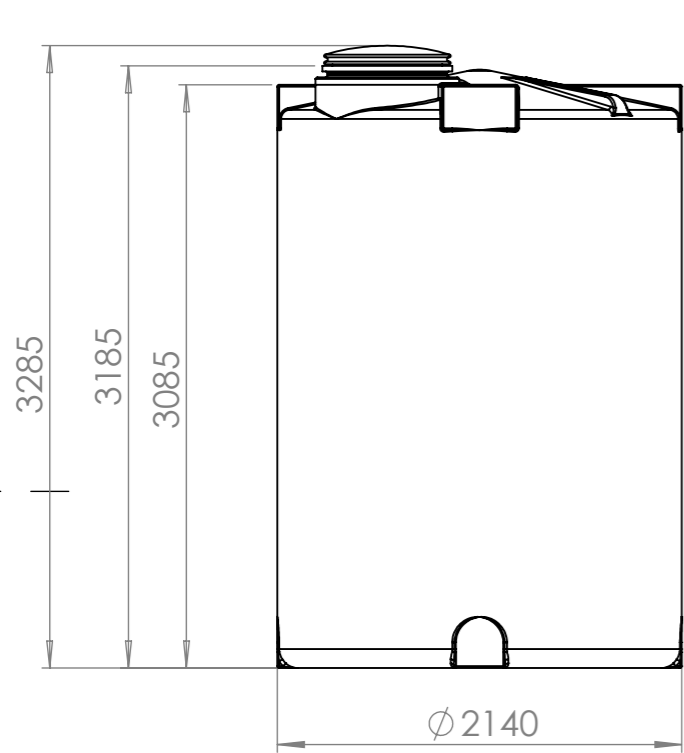
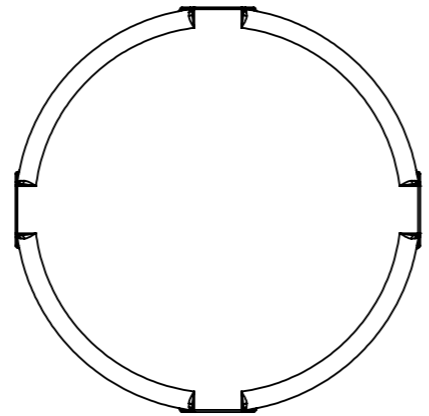


This drawing and design is the property of Cipax. Copying and distribution of the drawing or any contents is prohibited without written permission from authorised personnel at Cipax

REVISIONS				
ZONE	REV.	DESCRIPTION	DATE	APPROVED



*Manhole requires additional 800mm of height to fully open

Generelle toleranser om ikke annet er oppgitt på tegning	Tilatte avvik for måleområde. Gjelder ved +20°C				
General tolerances if not other stated on drawing	Permissible deviations for basic length size range. Valid +20°C				
	0-20	>20-75	>75-150	>150-300	>300
	±0,5mm	±1mm	±1,5mm	±1,3%	±1%

- 18010 - CPX 10000 L - 1,2 density black
- 18011 - CPX 10000 L - 1,85 density black
- 18012 - CPX 10000 L - 1,2 density Nat
- 18013 - CPX 10000 L - 1,85 density Nat

Constructed by - date	Evaluated by	Approved by - date	General Tolerances	Material	Finish, Ra	View	Scale
GEP 29.01.2018	LH	12.02.2018	NS-ISO 2768-1	LDPE			1:30
Owner		Titel/Description					
		18012		10000 litre exentric - 1,2 density			
Drawing number			Revision	Sheet size	Sheet		
1241 - 312				A3	1(1)		